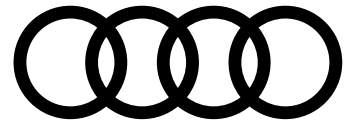


Q2



 **PREMIUM AUTOMOBILES**

281 Alexandra Road Singapore 159938 Tel: 6836 2223
55 Ubi Road 1 Singapore 408699 Tel: 6366 2323

TECHNICAL DATA

Q2 1.5 TFSI S tronic

ENGINE

Propellant	Petrol
Type	4-cylinder inline engine with turbocharging and intercooling
Valves	16
Engine capacity	1,498
Max output kW (hp)/rpm	110 (150) / 5,000 – 6,000
Max torque (Nm)/rpm	250 / 1,500 – 3,500

TRANSMISSION

Gearbox	7-speed S tronic transmission
Drive	Front wheel drive

PERFORMANCE

Acceleration 0-100km/h	8.6
Top speed (km/h)	218
Fuel consumption (combined) in l/100km	6.4
VES banding	B
Start/stop system	Yes

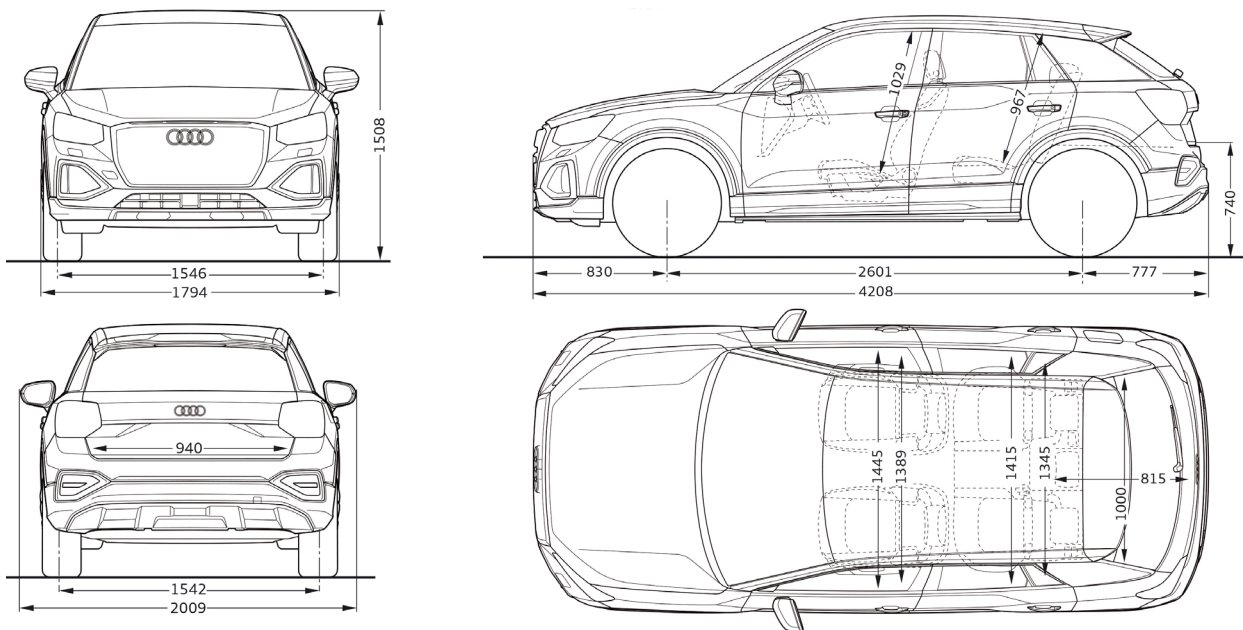
CHASSIS

Steering	Electromechanical progressive steering
Front suspension	MacPherson struts
Rear suspension	Torsion beam

BRAKES

Front	Ventilated discs
Rear	Discs
Braking assistance	Anti-lock Braking System (ABS)

Measurements (All in mm)



Dimensions are based on technical data from Audi Germany.
Actual specifications may vary from models shown.

Wheelbase	2,601
Length	4,208
Height	1,508
Width (mirrors folded/unfolded)	1,794 / 2,009
Track (front/rear)	1,546 / 1,542
Kerb weight (kg)	1,305
Turning circle (m)	11.1
Luggage volume (litres)	405
Fuel tank (litres)	50

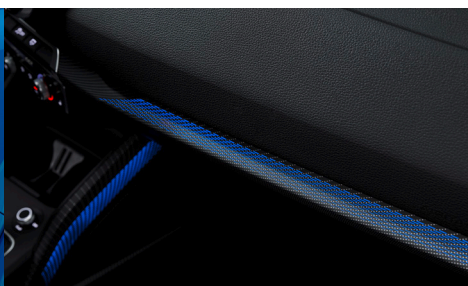
STANDARD/OPTIONAL EQUIPMENT

	Q2 1.5 TFSI S tronic
SAFETY	
Front side airbags with head airbag system	•
Full-size airbags for driver and front passenger	•
ISOFIX child seat mounting and top tether for outer rear seats	•
TECHNOLOGY AND ASSISTANCE SYSTEMS	
Audi drive select	•
Convenience key (without safelock)	•
Cruise control	•
Hold assist	•
Luggage compartment lid, electrically opening and closing	•
Rear parking aid	•
EXTERIOR DESIGN	
Exterior mirror housings in body colour	•
Exterior mirrors electrically adjustable, heated and folding, automatically dimming on both sides	•
LED daytime running lights	•
LED rear lights with dynamic indicators	•
Matrix LED headlights with dynamic light sequencing and dynamic indicators	•
Rear C-pillar blades in body colour	•
Roof spoiler	•
WHEELS	
Alloy wheels, 5-arm Y design, 7.0J x 17 with 215/55 R17 tyres	•
Tyre repair kit	•
COMFORT	
Ambient lighting package plus	•
Deluxe automatic air conditioning	•
Front seats with manual height adjustment and 4-way lumbar support	•
Seat upholstery in leather/artificial leather combination	•
Rear windows with heat insulating glass	•
Windscreen with grey strip	•
INTERIOR DESIGN	
3-spoke leather steering wheel with multifunction plus	•
Frameless interior mirror with automatic dimming	•
Decorative inserts in light graphic format	•
INFOTAINMENT	
Audi smartphone interface	•
Audi sound system	•
Audi virtual cockpit	•
Connectivity infotainment package	•
USB charging interfaces for rear passengers	•

Matrix LED headlights with dynamic light sequencing and indicators



Ambient lighting package plus



Luggage compartment capacity of up to 1,050 litres with folded rear seats



Actual specifications may vary from model shown.

Information is accurate as at January 2024