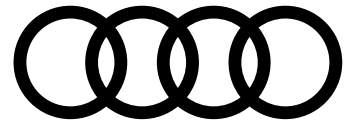


# SQ7



 **PREMIUM AUTOMOBILES**

281 Alexandra Road Singapore 159938 Tel: 6836 2223  
55 Ubi Road 1 Singapore 408699 Tel: 6366 2323

## TECHNICAL DATA

### SQ7 4.0 TFSI quattro tiptronic

#### ENGINE

Propellant	Petrol
Type	V8 bi-turbo engine with direct fuel injection, turbocharging with intercooler
Valves	32
Engine capacity	3,996
Max output kW (hp)/rpm	373 (507) / 5,500
Max torque (Nm)/rpm	770 / 2,000 - 4,000

#### TRANSMISSION

Gearbox	8-speed tiptronic transmission
Drive	quattro permanent all-wheel drive

#### PERFORMANCE

Acceleration 0-100km/h	4.1
Top speed (km/h)	250
Fuel consumption (combined) in l/100km	13.3
VES banding	C2
Start/stop system	Yes

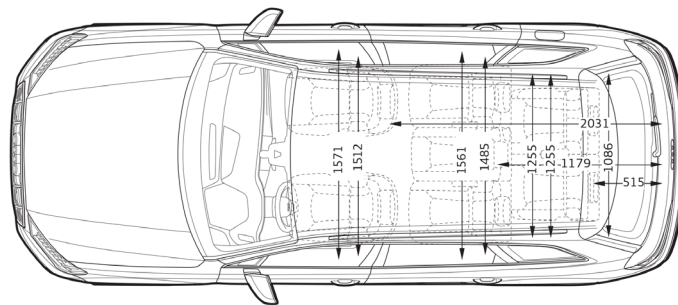
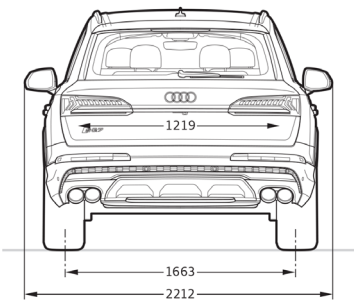
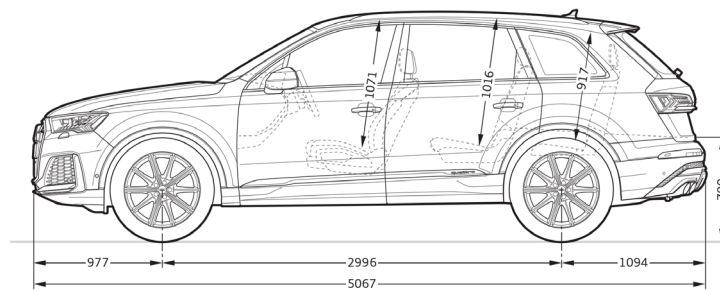
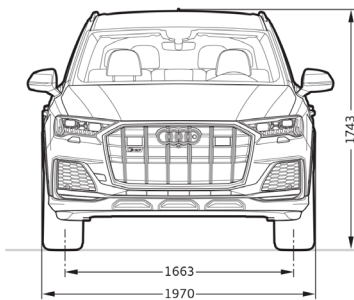
#### CHASSIS

Steering	Electromechanical power steering
Front suspension	Multi-link
Rear suspension	Multi-link

#### BRAKES

Front	Ventilated discs
Rear	Ventilated discs
Braking assistance	Anti-lock Braking System (ABS)

#### Measurements (All in mm)



Dimensions are based on technical data from Audi Germany.  
Actual specifications may vary from models shown.

Wheelbase	2,996
Length	5,067
Height	1,743
Width (mirrors folded/unfolded)	1,970 / 2,212
Track (front/rear)	1,663 / 1,663
Turning circle (m)	12.5
Kerb weight (kg)	2,265
Luggage volume (litres)	705
Fuel tank (litres)	85

STANDARD EQUIPMENT	
	SQ7 4.0 TFSI quattro tiptronic
<b>SAFETY</b>	
Anti-theft wheel bolts with loose wheel warning and alarm system	•
Front and rear side airbags with head airbag system	•
Front airbags with front passenger airbag deactivation	•
<b>TECHNOLOGY AND ASSISTANCE SYSTEMS</b>	
Adaptive air suspension, sport	•
All-wheel steering	•
Audi drive select	•
Audi pre sense front and rear	•
Automatic slip-control differential	•
Comfort key with sensor-controlled release of luggage compartment lid (with safelock)	•
Cruise control	•
Lane change warning with exit warning and rear cross traffic assist	•
Lane departure warning	•
Park assist plus with 360 degree cameras	•
quattro with self-locking centre differential	•
<b>EXTERIOR DESIGN</b>	
Aluminium roof rails	•
Bumpers in full paint finish	•
Matrix LED headlights with dynamic indicators	•
LED rear lights with dynamic indicators	•
Roof spoiler	•
Stainless steel loading edge protection	•
<b>WHEELS</b>	
Audi sport wheels, 10-spoke star style, anthracite black, gloss turned finish, 9.5J x 21 with 285/40 R21 tyres	•
Tyre pressure monitoring system	•
Tyre repair kit	•
<b>COMFORT</b>	
4-zone deluxe automatic air conditioning	•
Ambient lighting package plus	•
Electrically adjustable front sport seats plus with 4-way lumbar support, seat ventilation, heating and memory function for driver and passenger's seat	•
Power-assisted closing for doors	•
Seat upholstery in valcona leather with "S" embossing and diamond stitching	•
Sunblinds for rear door windows and rear window	•
<b>INTERIOR DESIGN</b>	
3-spoke leather steering wheel with multifunction plus and shift paddles	•
Cloth headlining in black	•
Front and rear door sill trims with aluminium inserts, illuminated with S logo in front	•
Operating buttons in gloss black with haptic feedback and aluminium-look interior	•
Pedals and footrest in stainless steel	•
Third row seats	•
<b>INFOTAINMENT</b>	
Audi connect*	•
Audi smartphone interface	•
Audi virtual cockpit plus	•
Bang & Olufsen 3D premium sound system	•
Head-up display	•
MMI navigation plus with MMI touch response	•
USB ports with charging function in rear	•

3-spoke leather steering wheel with multifunction plus and shift paddles

MMI navigation plus with MMI touch response

LED rear lights with dynamic indicators



Actual specifications may vary from model shown.

\*Audi connect – Audi connect navigation and infotainment, Audi connect emergency call and service with Audi connect remote and control.

Information is accurate as at January 2024.